

BY REGD. POST

CPPRI/Pur/CR/49/Equipment/17-18

Dated: March 05, 2018

Dear Sir,

Sealed quotation is invited for the purchase/fabrication of Screen for Depithing Plant as per details given below:-

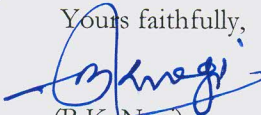
S. No.	Details of Items	Qty.
1.	<b>SCREEN FOR DEPITHING PLANT WITH FOLLOWING DETAILS:-</b> Length of Screen – 3m Including three replaceable screen with varying mesh size Optimum motor HP including variable device Screen diameter- 500 mm Consisting of replaceable PP brushes Material of construction- MS <b>(As per drawing &amp; details of work attached).</b>	01

It is requested to quote lowest rates for the same along with terms and conditions having 3 months validity of Quotation so as to reach this office on or before 26.03.2018.

Top right hand corner of your envelope should be superscribed with the words “**Quotation for Screen for Depithing Plant**”.

Thanking you,

Yours faithfully,



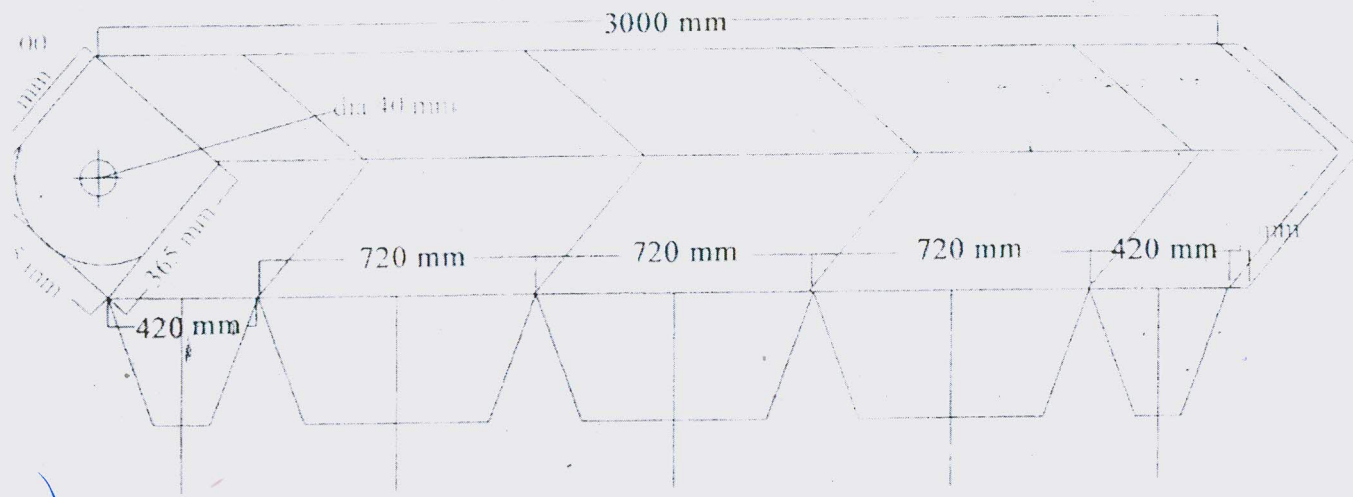
(B.K. Negi)

Section Officer ( Purchase)

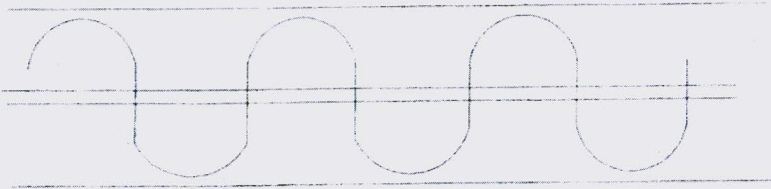
Encl: As above.

### Full Details of work for Dipithing Screen

S.No.	Existing System	New Required system (Detail are to be provided by indenter)	Required by Indenter
1.	The existing feed system is on top of one side plate with size 230*230 mm	Indenter is required to indicate necessity of junction between air lok to the brush system	Junction is required similar to the existing system
2.	The frame/foundation structure of existing system are made by 100 mm MS pipe	Indenter is required to provide requirement of frame/foundation structure	Frame/foundation structure is required similar to the existing system
3.	The MOC of screen structure is MS with 3mm thickness	The thickness for new brush system must be indicated by indenter.	Same as the existing system
4.	The existing brush system height is 680 mm from the ground level.	Please indicate the height of the new brush system	Same as the existing system
5.	The screen size is 2500(L)*550(B)mm in two pieces perforation only one set (two size)	As per drawing provided by the indenter the screen size of new system is 3000mm × 550mm. please indicate size of perforation in new system	Perforation in new system to be same as the existing system
6.	The existing collection bin size is 600*600mm (three nos.) side and 400*400mm (two Nos. both end side) made of found wooden pieces.	As per drawing provided by the indenter the screen size of the collection bin is 720mm × 720mm and 420mm × 420mm. please confirm ?	The size of the collection bin to be as per the drawing provided
7.	The existing brushing system is spiral (screw shape)	Indenter is required to indicate requirement of brush system in new screen structure.	Brush system in new screen structure to be same to the existing system but compatible to the new screen size.



ARRANGEMENT OF WIRE BRUSH



WIRE BRUSH

